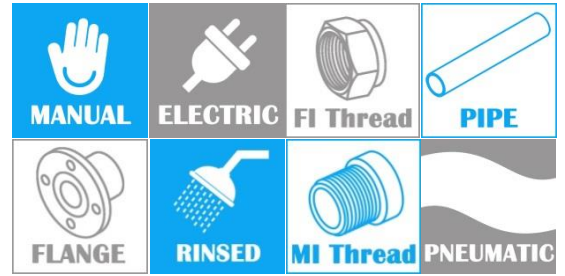
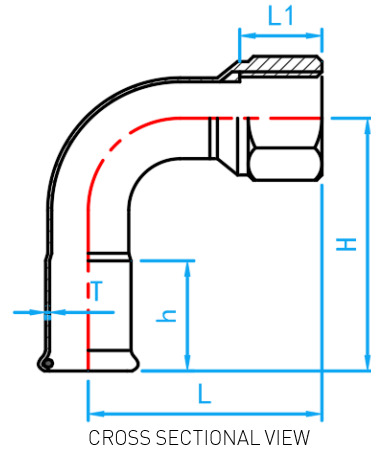


STAINLESS STEEL 304 PRESS FIT FITTINGS (M PROFILE)

COMPLY WITH BSEN1254-2: 1998
AS 3688: 2005
AS/NZS 4020: 2005
SS 375: 2015
SS 270: 2015



FI 90° ELBOW



DIMENSIONS

SKU	SIZE (mm × inch)	L (mm)	H (mm)	h (mm)	L1 (mm)	T (mm)	WEIGHT (kg)	PCS/CTN
SSPFNFIE01515	15×1/2" BSP	55	43	20	15.5	1.5	0.060	300
SSPFNFIE02015	22×1/2" BSP	48	49	21	15.5	1.5	0.078	160
SSPFNFIE02020	22×3/4" BSP	58	50	21	16.0	1.5	0.079	160
SSPFNFIE02515	28×1/2" BSP	72	60	23	15.5	1.5	0.115	160
SSPFNFIE02520	28×3/4" BSP	67	60	23	20.0	1.5	0.139	80
SSPFNFIE02525	28×1" BSP	70	60	23	20.0	1.5	0.146	70
SSPFNFIE03515	35×1/2" BSP	86	71	26	15.5	1.5	0.165	60
SSPFNFIE03520	35×3/4" BSP	80	71	26	20.0	1.5	0.185	60
SSPFNFIE03525	35×1" BSP	68	52	26	20.0	1.5	0.200	60
SSPFNFIE03525M	35×1" BSP	78	71	26	22.0	1.5	0.210	50
SSPFNFIE03525L	35×1" BSP	80	90	26	22.0	1.5	0.230	40
SSPFNFIE03535	35×1 1/4" BSP	81	72	26	22.0	1.5	0.235	80
SSPFNFIE04215	42×1/2" BSP	86	85	31	15.5	1.5	0.200	30
SSPFNFIE04242	42×1 1/2"	110	112	31	25.0	1.5	0.300	30
SSPFNFIE05015	54×1/2" BSP	110	105	36	15.5	1.5	0.350	21
SSPFNFIE05050	54×2" BSP	115	108	36	28.0	1.5	0.460	30
SSPFNFIE06565	67×2 1/2" BSP	133	143	50	33.0	2.0	0.970	13